

**KINTEX-7 FPGA
Core Board
AC7K325
User Manual**



Version Record

Version	Date	Release By	Description
Rev 1.0	2020-12-01	Rachel Zhou	First Release

Table of Contents

Version Record.....	2
Part 1: AC7K325 Core Board.....	4
Part 1.1: AC7K325 Core Board Introduction.....	4
Part 1.2: FPGA Chip.....	5
Part 1.3:DDR3 DRAM.....	6
Part 1.4: QSPI Flash.....	10
Part 1.5: Clock configuration.....	12
Part 1.5.1: 200Mhz system clock source.....	12
Part 1.5.2: GTX Reference Clock.....	13
Part 1.6: LED Light.....	14
Part 1.7: Power Supply.....	15
Part 1.8: Size Dimension.....	18
Part 1.9: Board-to-Board Pin Definition.....	18

Part 1: AC7K325 Core Board

Part 1.1: AC7K325 Core Board Introduction

AC7K325 (core board model, the same below) core board, FPGA chip is based on XC7K325TFFG900 of XILINX company XC7K325 series. The core board uses 4 Micron 512MB DDR3 chips MT41J256M16HA-125, with a total capacity of 2GB. In addition, a 128MBit QSPI FLASH is also integrated on the core board, which is used to start storage configuration and system files.

The 4 board-to-board connectors of this core board extend 276 IOs, of which the level of 92 IOs of BANK17 and BANK18 can be modified by replacing the LDO chip on the core board to meet the requirements of users without level interfaces. In addition, the core board has also expanded 16 pairs of high-speed transceiver GTX interfaces. For users who need a lot of IO, this core board will be a good choice. Moreover, in the IO connection part, the wiring between the FPGA chip and the interface has been processed with equal length and differential processing, and the size of the core board is only 80*60 (mm), which is very suitable for secondary development.

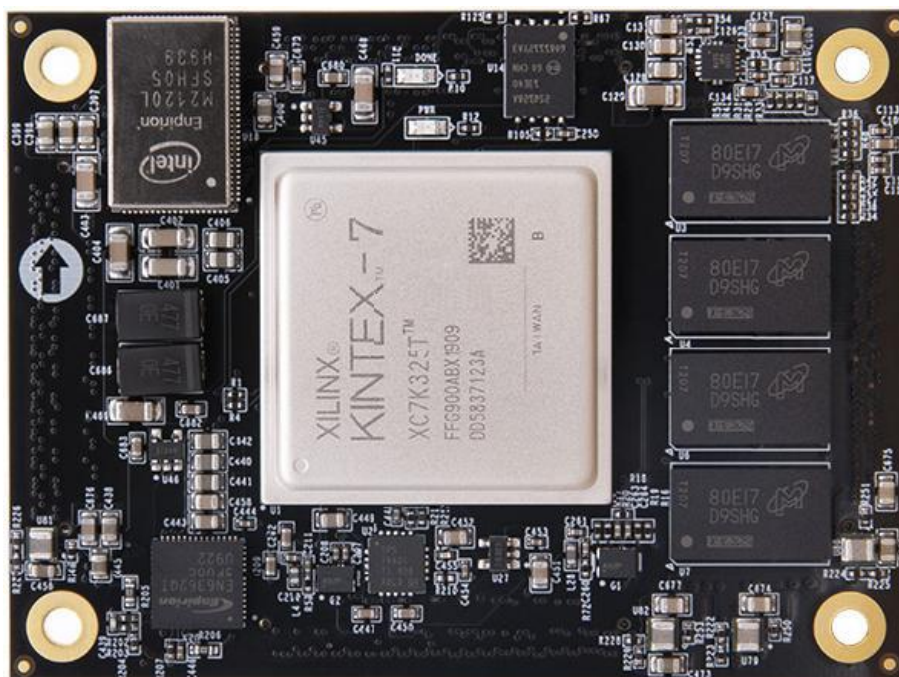


Figure 2-1-1: AC7K325 Core Board

Part 1.2: FPGA Chip

The FPGA development board uses Xilinx's KINTEX-7 FPGA chip, model number XC7K325T-2FFG900I. The speed class is 2 and the temperature class is industrial. This model is a FGG900 package with 900 pins and a 1.0mm pitch. The chip naming rules for Xilinx KINTEX-7 FPGA are shown in Figure 2-2-1 below:



Figure 2-2-1: The Specific Chip Model Definition of KINTEX-7 Series



Figure 2-2-2: FPGA chip XC7K325T on board

The main parameters of the FPGA chip XC7K325T are as follows

Name	Specific parameters
Logic Cells	326,080
Slices	50,950
CLB flip-flops	407,600

Block RAM (kb)	16,020
DSP48 Slices	840
PCIe Gen2	1
XADC	12bit, 1Mbps AD
GTP Transceiver	16, 12.5Gb/s max
Speed Grade	-2
Temperature Grade	Industrial

Part 1.3:DDR3 DRAM

The AC7K325 FPGA core board is equipped with four 512MB DDR3 chips, model MT41K256M16HA-125 (Compatible with MT41J256M16HA-125). Four DDR3 SDRAMs form a 64-bit bus width. Because four DDR3 chips are connected to the HP port of the FPGA, the DDR3 SDRAM can run at speeds up to 800MHz (data rate 1600Mbps), and four DDR3 memory systems are directly connected to the BANK32, BANK33, and BANK34 interfaces of the FPGA. The specific configuration of DDR3 SDRAM is shown in Table 2-3-1.

Bit Number	Chip Model	Capacity	Factory
U3,U4,U6,U7	MT41K256M16HA-125 Or MT41J256M16HA-125	256M x 16bit	Micron

Table 2-3-1: DDR3 SDRAM Configuration

The hardware design of DDR3 requires strict consideration of signal integrity. We have fully considered the matching resistor/terminal resistance, trace impedance control, and trace length control in circuit design and PCB design to ensure high-speed and stable operation of DDR3. The hardware connection between FPGA and DDR3 DRAM is shown in Figure 2-3-1

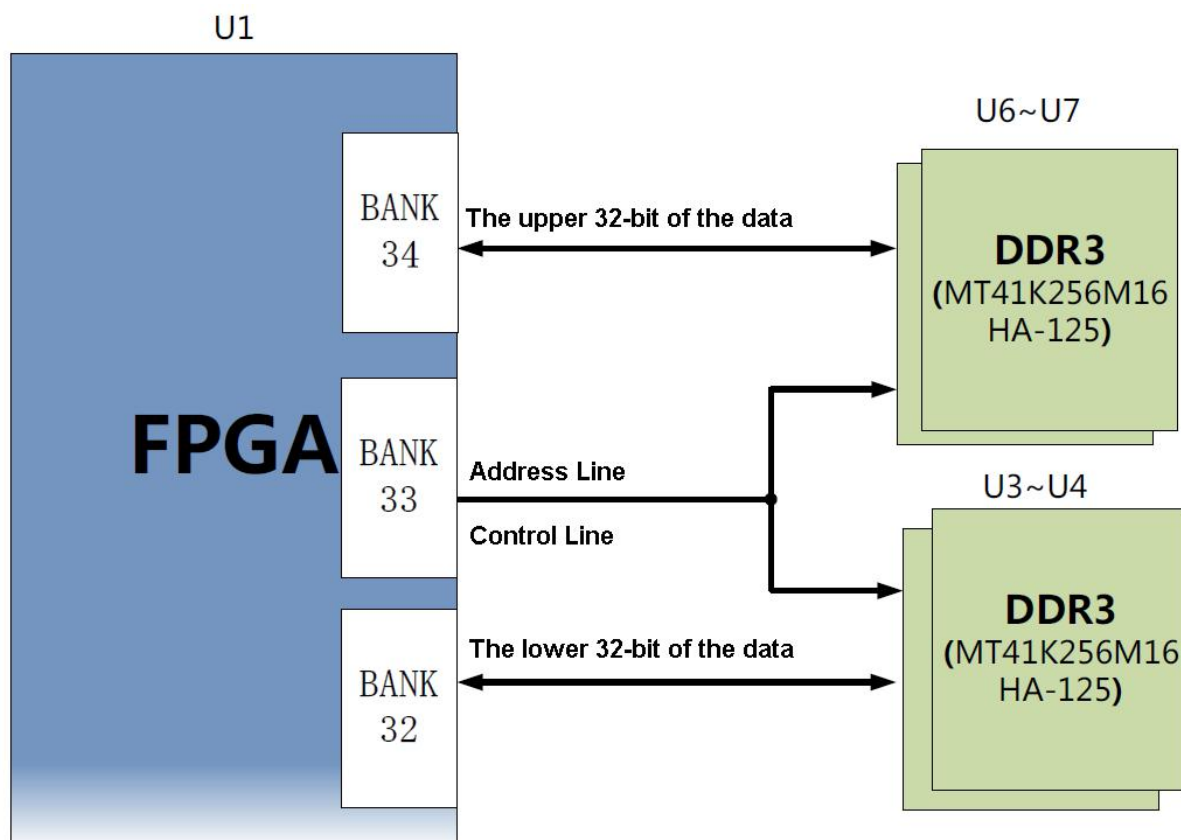


Figure 2-3-1: The DDR3 DRAM Schematic

4 DDR3 DRAM pin assignments:

Signal Name	FPGA Pin Name	FPGA Pin
DDR3_D0	IO_L13P_T2_MRCC_32	AD18
DDR3_D1	IO_L16N_T2_32	AB18
DDR3_D2	IO_L14P_T2_SRCC_32	AD17
DDR3_D3	IO_L17P_T2_32	AB19
DDR3_D4	IO_L14N_T2_SRCC_32	AD16
DDR3_D5	IO_L17N_T2_32	AC19
DDR3_D6	IO_L13N_T2_MRCC_32	AE18
DDR3_D7	IO_L18P_T2_32	AB17
DDR3_D8	IO_L8P_T1_32	AG19
DDR3_D9	IO_L7N_T1_32	AK19
DDR3_D10	IO_L10P_T1_32	AD19
DDR3_D11	IO_L7P_T1_32	AJ19
DDR3_D12	IO_L11P_T1_SRCC_32	AF18
DDR3_D13	IO_L8N_T1_32	AH19

DDR3_D14	IO_L10N_T1_32	AE19
DDR3_D15	IO_L11N_T1_SRCC_32	AG18
DDR3_D16	IO_L1N_T0_32	AK15
DDR3_D17	IO_L5N_T0_32	AJ17
DDR3_D18	IO_L2N_T0_32	AH15
DDR3_D19	IO_L4P_T0_32	AF15
DDR3_D20	IO_L4N_T0_32	AG14
DDR3_D21	IO_L5P_T0_32	AH17
DDR3_D22	IO_L2P_T0_32	AG15
DDR3_D23	IO_L1P_T0_32	AK16
DDR3_D24	IO_L19P_T3_32	AE15
DDR3_D25	IO_L24P_T3_32	Y16
DDR3_D26	IO_L22P_T3_32	AC14
DDR3_D27	IO_L20P_T3_32	AA15
DDR3_D28	IO_L23P_T3_32	AA17
DDR3_D29	IO_L22N_T3_32	AD14
DDR3_D30	IO_L23N_T3_32	AA16
DDR3_D31	IO_L20N_T3_32	AB15
DDR3_D32	IO_L22N_T3_34	AK6
DDR3_D33	IO_L23P_T3_34	AJ8
DDR3_D34	IO_L22P_T3_34	AJ6
DDR3_D35	IO_L19P_T3_34	AF8
DDR3_D36	IO_L24N_T3_34	AK4
DDR3_D37	IO_L23N_T3_34	AK8
DDR3_D38	IO_L24P_T3_34	AK5
DDR3_D39	IO_L20N_T3_34	AG7
DDR3_D40	IO_L10P_T1_34	AE4
DDR3_D41	IO_L8N_T1_34	AF1
DDR3_D42	IO_L11P_T1_SRCC_34	AE5
DDR3_D43	IO_L8P_T1_34	AE1
DDR3_D44	IO_L12P_T1_MRCC_34	AF6
DDR3_D45	IO_L10N_T1_34	AE3
DDR3_D46	IO_L11N_T1_SRCC_34	AF5
DDR3_D47	IO_L7N_T1_34	AF2
DDR3_D48	IO_L13P_T2_MRCC_34	AH4
DDR3_D49	IO_L16N_T2_34	AJ2

DDR3_D50	IO_L14N_T2_SRCC_34	AH5
DDR3_D51	IO_L13N_T2_MRCC_34	AJ4
DDR3_D52	IO_L16P_T2_34	AH2
DDR3_D53	IO_L17N_T2_34	AK1
DDR3_D54	IO_L14P_T2_SRCC_34	AH6
DDR3_D55	IO_L17P_T2_34	AJ1
DDR3_D56	IO_L2P_T0_34	AC2
DDR3_D57	IO_L4P_T0_34	AC5
DDR3_D58	IO_L1N_T0_34	AD3
DDR3_D59	IO_L6P_T0_34	AC7
DDR3_D60	IO_L5N_T0_34	AE6
DDR3_D61	IO_L5P_T0_34	AD6
DDR3_D62	IO_L2N_T0_34	AC1
DDR3_D63	IO_L4N_T0_34	AC4
DDR3_DM0	IO_L16P_T2_32	AA18
DDR3_DM1	IO_L12P_T1_MRCC_32	AF17
DDR3_DM2	IO_L6P_T0_32	AE16
DDR3_DM3	IO_L24N_T3_32	Y15
DDR3_DM4	IO_L20P_T3_34	AF7
DDR3_DM5	IO_L7P_T1_34	AF3
DDR3_DM6	IO_L18P_T2_34	AJ3
DDR3_DM7	IO_L1P_T0_34	AD4
DDR3_DQS0_P	IO_L15P_T2_DQS_32	Y19
DDR3_DQS0_N	IO_L15N_T2_DQS_32	Y18
DDR3_DQS1_P	IO_L9P_T1_DQS_32	AJ18
DDR3_DQS1_N	IO_L9N_T1_DQS_32	AK18
DDR3_DQS2_P	IO_L3P_T0_DQS_32	AH16
DDR3_DQS2_N	IO_L3N_T0_DQS_32	AJ16
DDR3_DQS3_P	IO_L21P_T3_DQS_32	AC16
DDR3_DQS3_N	IO_L21N_T3_DQS_32	AC15
DDR3_DQS4_P	IO_L21P_T3_DQS_34	AH7
DDR3_DQS4_N	IO_L21N_T3_DQS_34	AJ7
DDR3_DQS5_P	IO_L9P_T1_DQS_34	AG4
DDR3_DQS5_N	IO_L9N_T1_DQS_34	AG3
DDR3_DQS6_P	IO_L15P_T2_DQS_34	AG2
DDR3_DQS6_N	IO_L15N_T2_DQS_34	AH1

DDR3_DQS7_P	IO_L3P_T0_DQS_34	AD2
DDR3_DQS7_N	IO_L3N_T0_DQS_34	AD1
DDR3_A0	IO_L1P_T0_33	AA12
DDR3_A1	IO_L1N_T0_33	AB12
DDR3_A2	IO_L2P_T0_33	AA8
DDR3_A3	IO_L2N_T0_33	AB8
DDR3_A4	IO_L3P_T0_DQS_33	AB9
DDR3_A5	IO_L3N_T0_DQS_33	AC9
DDR3_A6	IO_L6N_T0_VREF_33	AB13
DDR3_A7	IO_L4N_T0_33	Y10
DDR3_A8	IO_L5P_T0_33	AA11
DDR3_A9	IO_L5N_T0_33	AA10
DDR3_A10	IO_L6P_T0_33	AA13
DDR3_A11	IO_L8P_T1_33	AD8
DDR3_A12	IO_L7P_T1_33	AB10
DDR3_A13	IO_L7N_T1_33	AC10
DDR3_A14	IO_L15P_T2_DQS_33	AJ9
DDR3_BA0	IO_L8N_T1_33	AE8
DDR3_BA1	IO_L9P_T1_DQS_33	AC12
DDR3_BA2	IO_L9N_T1_DQS_33	AC11
DDR3_WE	IO_L10P_T1_33	AD9
DDR3_RAS	IO_L10N_T1_33	AE9
DDR3_CAS	IO_L11P_T1_SRCC_33	AE11
DDR3_S0	IO_L11N_T1_SRCC_33	AF11
DDR3_CKE0	IO_L12P_T1_MRCC_33	AD12
DDR3_ODT	IO_L12N_T1_MRCC_33	AD11
DDR3_CLK0_P	IO_L13P_T2_MRCC_33	AG10
DDR3_CLK0_N	IO_L13N_T2_MRCC_33	AH10
DDR3_RESET	IO_L4P_T0_33	Y11

Part 1.4: QSPI Flash

The AC7K325 FPGA core board is equipped with one 128MBit Quad-SPI FLASH, and the model is N25Q128, which uses the 3.3V CMOS voltage standard. Due to the non-volatile nature of QSPI FLASH, it can store FPGA

configuration Bin files and other user data files in use. The specific models and related parameters of QSPI FLASH are shown in Table 2-4-1.

Position	Model	Capacity	Factory
U14	N25Q128	128M Bit	Numonyx

Table 2-4-1: QSPI FLASH Specification

QSPI FLASH is connected to the dedicated pins of BANK0 and BANK14 of the FPGA chip. The clock pin is connected to CCLK0 of BANK0, and other data and chip select signals are connected to D00~D03 and FCS pins of BANK14 respectively. Figure 2-4-1 shows the hardware connection of QSPI Flash.

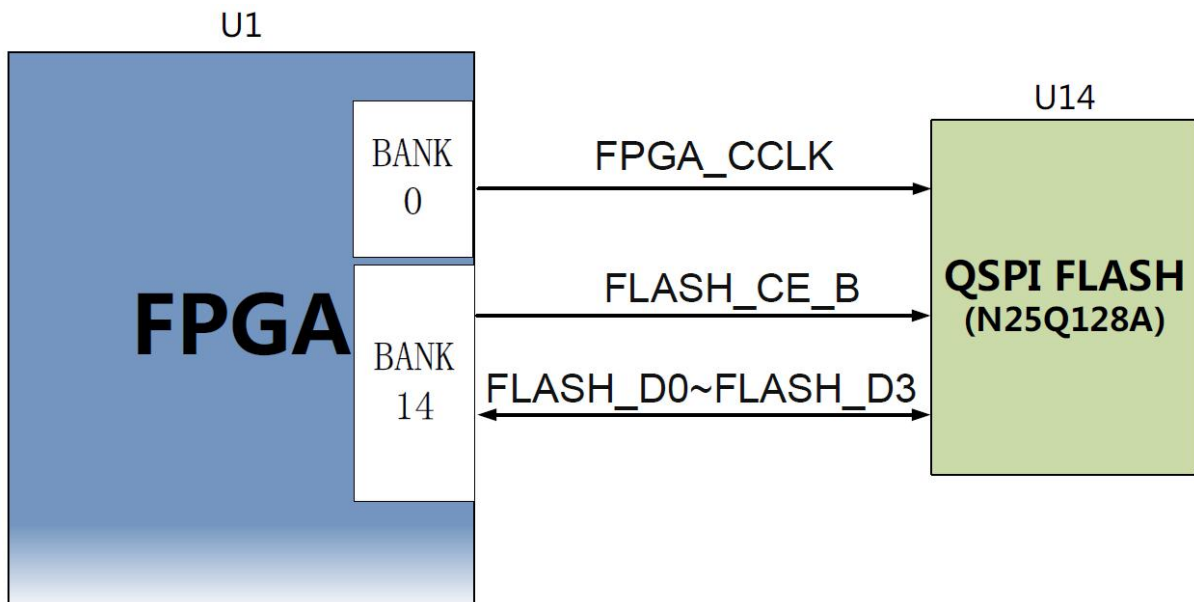


Figure 2-4-1: QSPI Flash Schematic

QSPI Flash pin assignments:

Signal Name	FPGA Pin Name	FPGA Pin Number
FPGA_CCLK	CCLK_0	B10
FLASH_CE_B	IO_L6P_T0_FCS_B_14	U19
FLASH_D0	IO_L1P_T0_D00_MOSI_14	P24
FLASH_D1	IO_L1N_T0_D01_DIN_14	R25
FLASH_D2	IO_L2P_T0_D02_14	R20
FLASH_D3	IO_L2N_T0_D03_14	R21

Part 1.5: Clock configuration

The core board provides 200Mhz and 125Mhz differential active clocks for the FPGA system. Provide differential clock sources for FPGA logic part and high-speed transceiver GTX part respectively. The schematic diagram of the clock circuit design is shown in Figure 2-5-1:

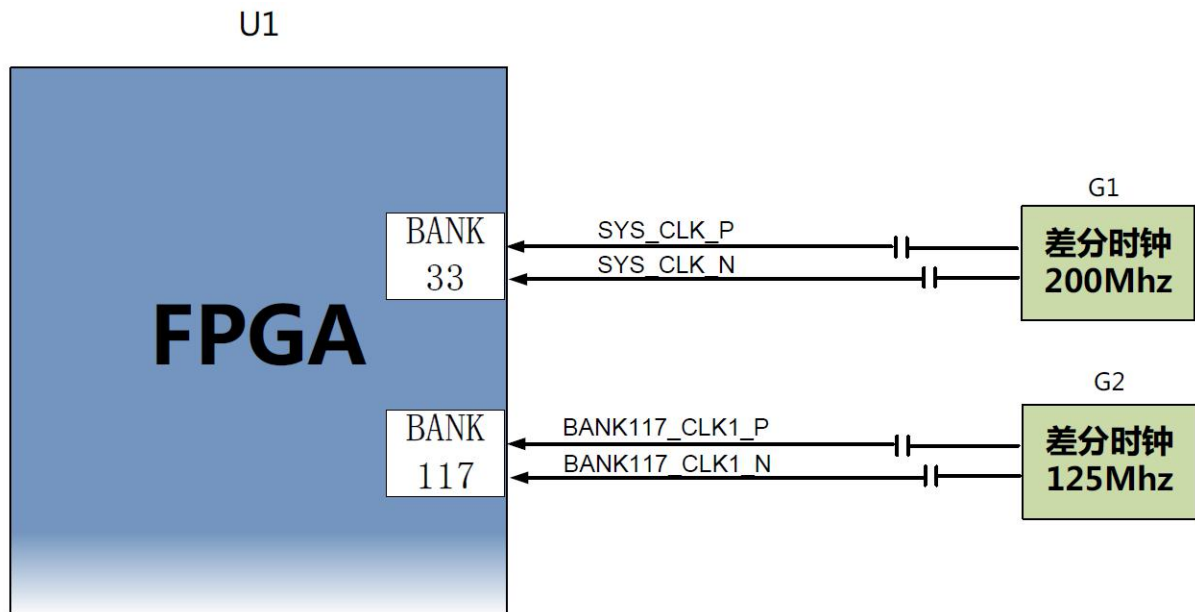


Figure 2-5-1: Clock Source in the Core Board

Part 1.5.1: 200Mhz system clock source

The FPGA core board provides a differential 200MHz FPGA system clock source for the reference clock of the DDR3 controller. The crystal oscillator output is connected to the global clock (MRCC) of FPGA BANK33. This global clock can be used to drive the DDR3 controller and user logic circuits in the FPGA. The schematic diagram of this clock source is shown in Figure 2-5-2

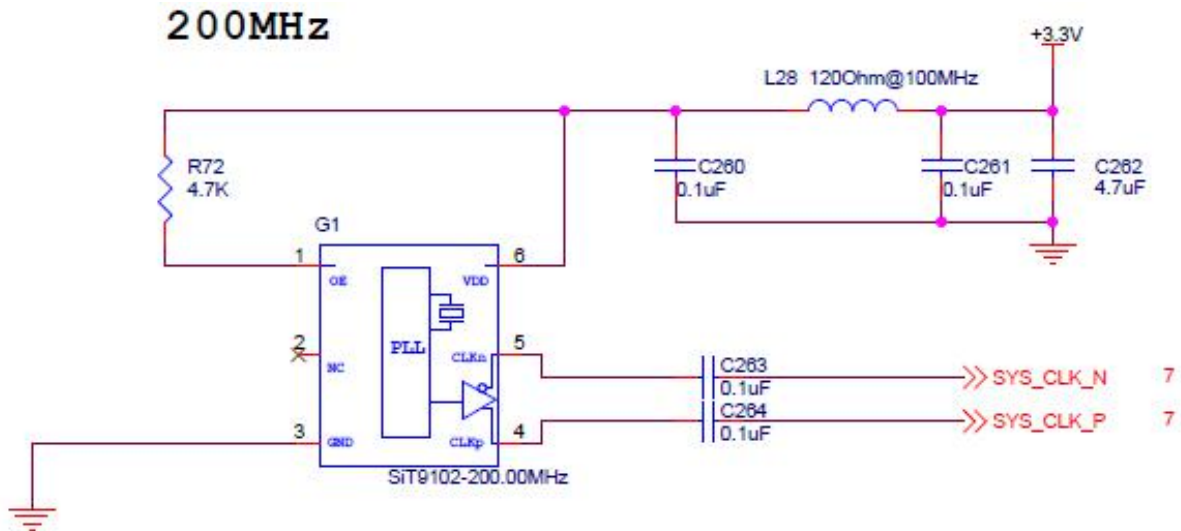


Figure 2-5-2: 200Mhz System Clock Source Schematic

System Clock pin assignments:

Signal Name	FPGA Pin
SYS_CLK_P	AE10
SYS_CLK_N	AF10

Part 1.5.2: GTX Reference Clock

The AC7K325 core board provides a 125Mhz reference clock for the GTX transceiver. The reference clock is connected to the reference clock input REFCLK1P/REFCLK1N of BANK117. The schematic of this clock source is shown in Figure 2-5-3

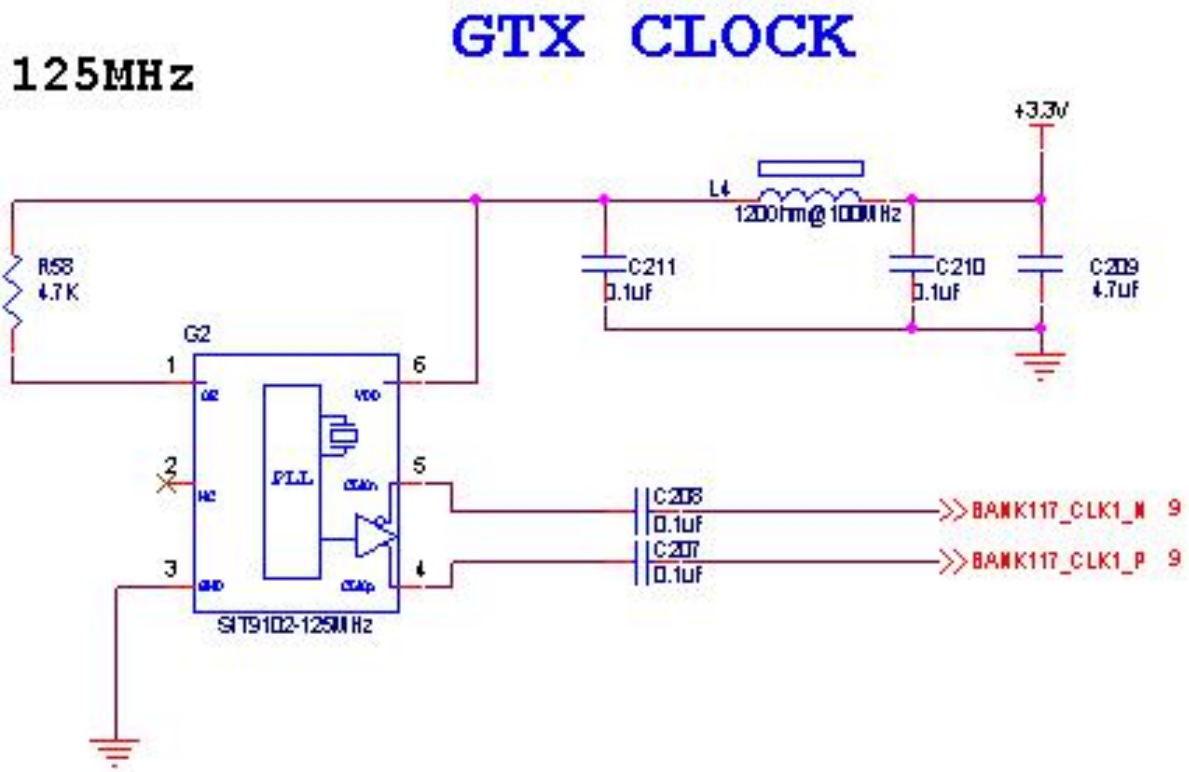


Figure 2-5-3: GTX Clock Source

GTX Clock Source FPGA pin assignments:

Signal Name	FPGA Pin
BANK117_CLK1_P	J8
BANK117_CLK1_N	J7

Part 1.6: LED Light

There are 2 red LED lights on the AC7K325 core board, one of which is the power indicator (PWR) and the other is the configuration LED (DONE). The power indicator will light up; after the FPGA configuration program, the configuration LED light will light up. The schematic diagram of LED light hardware connection is shown in Figure 2-6-1:

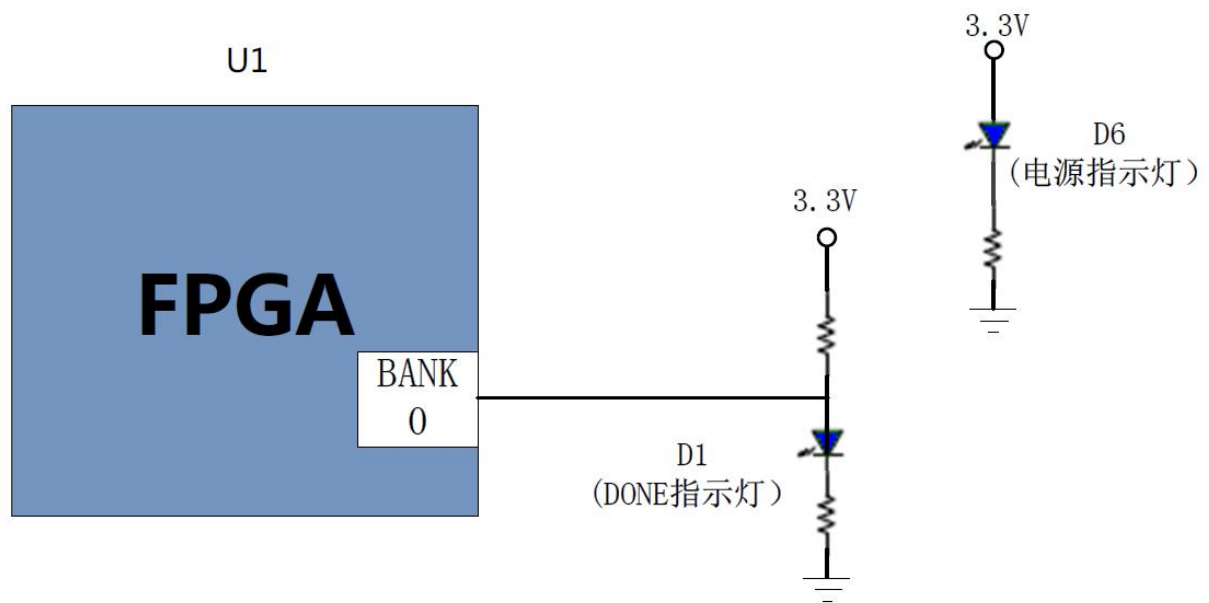


Figure 2-6-1: LED in core board Schematic

Part 1.7: Power Supply

The AC7K325 core board power supply voltage is DC5V, which is powered by the carrier board. The core board power supply schematic is show as Figure 2-7-1.

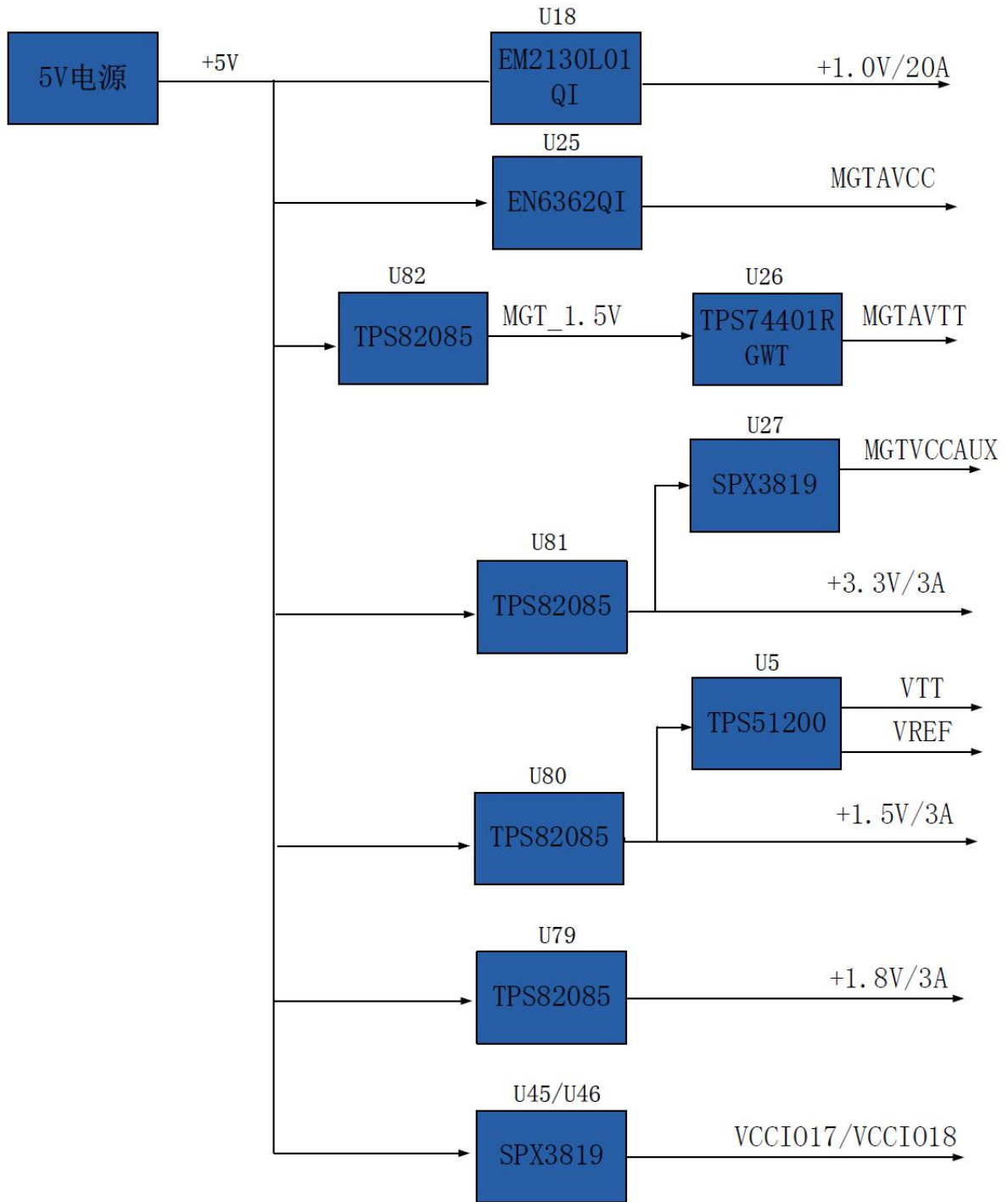


Figure 2-7-1: Power Supply Design Diagram

+5V generates +1.0V FPGA core power through the DCDC power chip EM2130L01QI. The output current of EM2130 is up to 20A, which meets the current demand of the core voltage. The +5V power supply then generates +1.5V, +3.3V, MGT_1.5V and +1.5V four-way power supply through the DCDC

chip TPS82085. The +1.0V used by the GTX transceiver is generated by the DCDC chip EN6362QI, and the MGT_1.5V power supply is generated by the LDO chip TPS74401 to generate the +1.2V power supply required by GTX. +3.3V generates GTX auxiliary power supply +1.8V through an LDO chip SPX3819-1-8. The VTT and VREF voltages of DDR3 are generated by TPS51200. In addition, the IO power supply of BANK17 and BANK18 is generated through 2 SPX3819M5-3-3. Users can change the LDO chip to make the IO input and output of these two BANKs to other voltage standards.

Because the power supply of the FPGA has the power-on sequence requirements, in the circuit design, we have designed according to the power requirements of the chip. The power-on sequence is +1.0V->+1.8V->(+1.5 V, +3.3V, VCCIO17, VCCIO18) circuit design to ensure the normal operation of the chip.

Part 1.8: Size Dimension

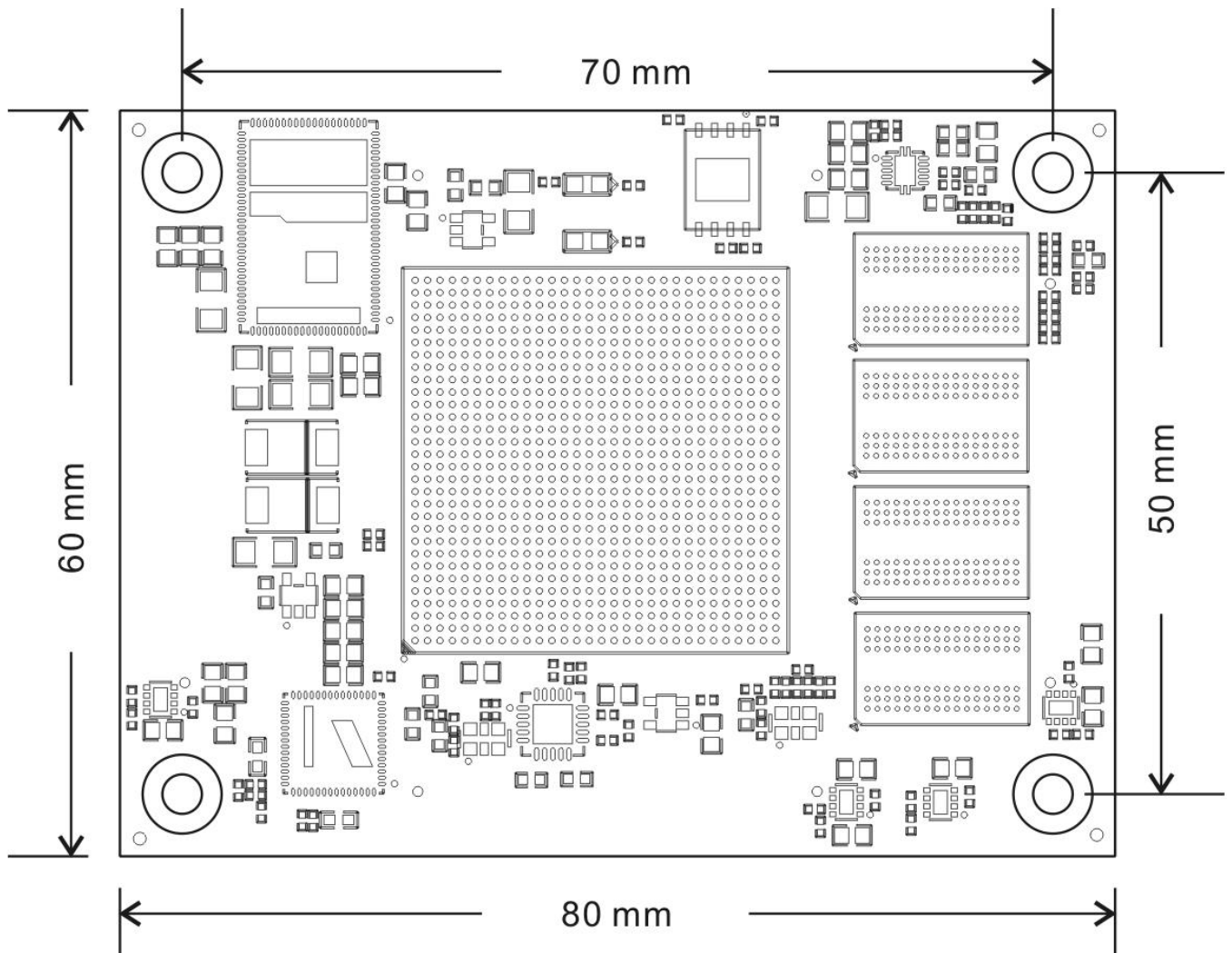


Figure 2-8-1: AC7K325 Core Board Size Dimension

Part 1.9: Board-to-Board Pin Definition

The core board expands a total of 4 high-speed expansion ports, using 4 120-Pin inter-board connectors (J29~J32) to connect to the carrier board. The connector uses Panasonic's AXK5A2137YG, and the corresponding connector model is AXK6A2337YG in the carrier board. J29 is connected to GTX transceiver signal, J30 is connected to JTAG and BANK17, IO of BANK18, J31 is connected to BANK15, IO of BANK15, and J32 is connected to IO and 5V power supply of BANK12 and BANK13.

J29 connector pin assignment

J29 Pin	Signal Name	FPGA Pin	J29 Pin	Signal Name	FPGA Pin
1	BANK115_TX0_N	Y1	2	BANK115_RX0_N	AA3
3	BANK115_TX0_P	Y2	4	BANK115_RX0_P	AA4
5	GND	-	6	GND	-
7	BANK115_TX1_N	V1	8	BANK115_RX1_N	Y5
9	BANK115_TX1_P	V2	10	BANK115_RX1_P	Y6
11	GND	-	12	GND	-
13	BANK115_TX2_N	U3	14	BANK115_RX2_N	W3
15	BANK115_TX2_P	U4	16	BANK115_RX2_P	W4
17	GND	-	18	GND	-
19	BANK115_TX3_N	T1	20	BANK115_RX3_N	V5
21	BANK115_TX3_P	T2	22	BANK115_RX3_P	V6
23	GND	-	24	GND	-
25	BANK115_CLK0_N	R7	26	BANK115_CLK1_N	U7
27	BANK115_CLK0_P	R8	28	BANK115_CLK1_N	U8
29	GND	-	30	GND	-
31	BANK116_TX0_N	P1	32	BANK116_RX0_N	T5
33	BANK116_TX0_P	P2	34	BANK116_RX0_P	T6
35	GND	-	36	GND	-
37	BANK116_TX1_N	N3	38	BANK116_RX1_N	R3
39	BANK116_TX1_P	N4	40	BANK116_RX1_P	R4
41	GND	-	42	GND	-
43	BANK116_TX2_N	M1	44	BANK116_RX2_N	P5
45	BANK116_TX2_P	M2	46	BANK116_RX2_P	P6
47	GND	-	48	GND	-
49	BANK116_TX3_N	L3	50	BANK116_RX3_N	M5
51	BANK116_TX3_P	L4	52	BANK116_RX3_P	M6
53	GND	-	54	GND	-
55	BANK116_CLK0_N	L7	56	BANK116_CLK1_N	N7
57	BANK116_CLK0_P	L8	58	BANK116_CLK1_P	N8

59	GND	-	60	GND	-
61	BANK117_TX0_N	K1	62	BANK118_TX0_N	D1
63	BANK117_TX0_P	K2	64	BANK118_TX0_P	D2
65	GND	-	66	GND	-
67	BANK117_RX0_N	K5	68	BANK118_RX0_N	E3
69	BANK117_RX0_P	K6	70	BANK118_RX0_P	E4
71	GND	-	72	GND	-
73	BANK117_TX1_N	J3	74	BANK118_TX1_N	C3
75	BANK117_TX1_P	J4	76	BANK118_TX1_P	C4
77	GND	-	78	GND	-
79	BANK117_RX1_N	H5	80	BANK118_RX1_N	D5
81	BANK117_RX1_P	H6	82	BANK118_RX1_P	D6
83	GND	-	84	GND	-
85	BANK117_TX2_N	H1	86	BANK118_TX2_N	B1
87	BANK117_TX2_P	H2	88	BANK118_TX2_P	B2
89	GND	-	90	GND	-
91	BANK117_RX2_N	G3	92	BANK118_RX2_N	B5
93	BANK117_RX2_P	G4	94	BANK118_RX2_P	B6
95	GND	-	96	GND	-
97	BANK117_TX3_N	F1	98	BANK118_TX3_N	A3
99	BANK117_TX3_P	F2	100	BANK118_TX3_P	A4
101	GND	-	102	GND	-
103	BANK117_RX3_N	F5	104	BANK118_RX3_N	A7
105	BANK117_RX3_P	F6	106	BANK118_RX3_P	A8
107	GND	-	108	GND	-
109	BANK117_CLK0_N	G7	110	BANK118_CLK0_N	C7
111	BANK117_CLK0_P	G8	112	BANK118_CLK0_P	C8
113	GND	-	114	GND	-
115			116	BANK118_CLK1_N	E7
117			118	BANK118_CLK1_P	E8
119	GND	-	120	GND	-

J30 connector pin assignment

J30 Pin	Signal Name	FPGA Pin	J30 Pin	Signal Name	FPGA Pin
1	B18_L5_P	K14	2	B18_L3_P	L12
3	B18_L5_N	J14	4	B18_L3_N	L13
5	B18_L6_P	L11	6	B18_L2_P	L15
7	B18_L6_N	K11	8	B18_L2_N	K15
9	GND	-	10	GND	-
11	B18_L7_P	H15	12	B18_L1_P	L16
13	B18_L7_N	G15	14	B18_L1_N	K16
15	B18_L8_P	J11	16	B18_L4_P	K13
17	B18_L8_N	J12	18	B18_L4_N	J13
19	GND	-	20	GND	-
21	B18_L9_P	J16	22	B18_L12_P	G13
23	B18_L9_N	H16	24	B18_L12_N	F13
25	B18_L16_P	F11	26	B18_L10_P	H11
27	B18_L16_N	E11	28	B18_L10_N	H12
29	GND	-	30	GND	-
31	B18_L18_P	D11	32	B18_L20_P	E14
33	B18_L18_N	C11	34	B18_L20_N	E15
35	B18_L15_P	C12	36	B18_L11_P	H14
37	B18_L15_N	B12	38	B18_L11_N	G14
39	GND	-	40	GND	-
41	B18_L23_P	C15	42	B18_L21_P	D14
43	B18_L23_N	B15	44	B18_L21_N	C14
45	B18_L17_P	A11	46	B18_L22_P	B13
47	B18_L17_N	A12	48	B18_L22_N	A13
49	GND	-	50	GND	-
51	B18_L24_P	B14	52	B17_L5_N	L18
53	B18_L24_N	A15	54	B17_L5_P	L17
55	B18_L19_P	F15	56	B17_L15_P	D16
57	B18_L19_N	E16	58	B17_L15_N	C16

59	GND	-	60	GND	-
61	B17_L17_P	C17	62	B17_L14_P	E19
63	B17_L17_N	B17	64	B17_L14_N	D19
65	B17_L1_P	K18	66	B17_L20_P	A16
67	B17_L1_N	J18	68	B17_L20_N	A17
69	GND	-	70	GND	-
71	B17_L22_N	A18	72	B17_L21_P	A20
73	B17_L22_P	B18	74	B17_L21_N	A21
75	B17_L8_P	D21	76	B17_L13_P	D17
77	B17_L8_N	C21	78	B17_L13_N	D18
79	GND	-	80	GND	-
81	B17_L24_P	C19	82	B17_L23_N	A22
83	B17_L24_N	B19	84	B17_L23_P	B22
85	B17_L18_N	F17	86	B17_L12_P	F20
87	B17_L18_P	G17	88	B17_L12_N	E20
89	GND	-	90	GND	-
91	B17_L19_N	B20	92	B17_L11_N	E21
93	B17_L19_P	C20	94	B17_L11_P	F21
95	B17_L10_N	C22	96	B17_L9_N	F22
97	B17_L10_P	D22	98	B17_L9_P	G22
99	GND	-	100	GND	-
101	B17_L16_N	F18	102	B17_L7_P	H21
103	B17_L16_P	G18	104	B17_L7_N	H22
105	B17_L2_N	G20	106	B17_L3_N	H17
107	B17_L2_P	H20	108	B17_L3_P	J17
109	GND	-	110	GND	-
111	B17_L4_N	H19	112	FPGA_TCK	E10
113	B17_L4_P	J19	114	FPGA_TMS	F10
115	B17_L6_P	K19	116	FPGA_TDO	G10
117	B17_L6_N	K20	118	FPGA_TDI	H10
119	GND	-	120	GND	-

J31 connector pin assignment

J31 Pin	Signal Name	FPGA Pin	J31 Pin	Signal Name	FPGA Pin
1	B16_L12_N	B25	2	B16_L8_P	C24
3	B16_L12_P	C25	4	B16_L8_N	B24
5	B16_L10_N	A26	6	B16_L16_N	C30
7	B16_L10_P	A25	8	B16_L16_P	D29
9	GND	-	10	GND	-
11	B16_L11_N	C26	12	B16_L7_N	A27
13	B16_L11_P	D26	14	B16_L7_P	B27
15	B16_L13_N	C27	16	B16_L18_N	E30
17	B16_L13_P	D27	18	B16_L18_P	E29
19	GND	-	20	GND	-
21	B16_L21_P	G27	22	B16_L14_N	D28
23	B16_L21_N	F27	24	B16_L14_P	E28
25	B16_L20_N	F28	26	B16_L22_N	F30
27	B16_L20_P	G28	28	B16_L22_P	G29
29	GND	-	30	GND	-
31	B16_L9_P	B28	32	B16_L5_P	F26
33	B16_L9_N	A28	34	B16_L5_N	E26
35	B16_L15_P	C29	36	B16_L24_N	G30
37	B16_L15_N	B29	38	B16_L24_P	H30
39	GND	-	40	GND	-
41	B16_L19_N	H25	42	B16_L23_N	H27
43	B16_L19_P	H24	44	B16_L23_P	H26
45	B16_L1_N	A23	46	B16_L17_P	B30
47	B16_L1_P	B23	48	B16_L17_N	A30
49	GND	-	50	GND	-
51	B16_L2_P	E23	52	B16_L3_N	E25
53	B16_L2_N	D23	54	B16_L3_P	F25
55	B16_L6_N	G24	56	B16_L4_P	E24
57	B16_L6_P	G23	58	B16_L4_N	D24

59	GND	-	60	GND	-
61	B15_L14_N	L28	62	B15_L7_N	H29
63	B15_L14_P	M28	64	B15_L7_P	J29
65	B15_L10_N	J26	66	B15_L8_N	J28
67	B15_L10_P	K26	68	B15_L8_P	J27
69	GND	-	70	GND	-
71	B15_L1_N	J24	72	B15_L24_N	M23
73	B15_L1_P	J23	74	B15_L24_P	M22
75	B15_L18_N	N26	76	B15_L3_N	K24
77	B15_L18_P	N25	78	B15_L3_P	K23
79	GND	-	80	GND	-
81	B15_L2_N	L23	82	B15_L21_N	N24
83	B15_L2_P	L22	84	B15_L21_P	P23
85	B15_L13_P	K28	86	B15_L12_N	K25
87	B15_L13_N	K29	88	B15_L12_P	L25
89	GND	-	90	GND	-
91	B15_L22_N	P22	92	B15_L20_N	N22
93	B15_L22_P	P21	94	B15_L20_P	N21
95	B15_L15_N	M30	96	B15_L9_N	K30
97	B15_L15_P	M29	98	B15_L9_P	L30
99	GND	-	100	GND	-
101	B15_L19_N	N20	102	B15_L5_N	J22
103	B15_L19_P	N19	104	B15_L5_P	J21
105	B15_L17_N	N30	106	B15_L6_N	L20
107	B15_L17_P	N29	108	B15_L6_P	M20
109	GND	-	110	GND	-
111	B15_L11_N	L27	112	B15_L16_N	M27
113	B15_L11_P	L26	114	B15_L16_P	N27
115	B15_L23_N	M25	116	B15_L4_P	L21
117	B15_L23_P	M24	118	B15_L4_N	K21
119	GND	-	120	GND	-

J32 connector pin assignment

J32 Pin	Signal Name	FPGA Pin	J32 Pin	Signal Name	FPGA Pin
1	B13_L16_P	AE30	2	B13_L10_N	AB30
3	B13_L16_N	AF30	4	B13_L10_P	AB29
5	B13_L23_N	AF27	6	B13_L9_P	AD29
7	B13_L23_P	AF26	8	B13_L9_N	AE29
9	GND	U14	10	GND	U14
11	B13_L14_P	AE28	12	B13_L6_P	AA25
13	B13_L14_N	AF28	14	B13_L6_N	AB25
15	B13_L13_P	AG29	16	B13_L5_N	AB28
17	B13_L13_N	AH29	18	B13_L5_P	AA27
19	GND	U14	20	GND	U14
21	B13_L18_P	AG30	22	B13_L2_N	W28
23	B13_L18_N	AH30	24	B13_L2_P	W27
25	B13_L21_N	AG28	26	B13_L8_P	Y30
27	B13_L21_P	AG27	28	B13_L8_N	AA30
29	GND	U14	30	GND	U14
31	B13_L15_N	AK30	32	B13_L11_N	AD28
33	B13_L15_P	AK29	34	B13_L11_P	AD27
35	B13_L17_N	AJ29	36	B13_L7_N	AC30
37	B13_L17_P	AJ28	38	B13_L7_P	AC29
39	GND	U14	40	GND	U14
41	B13_L20_N	AK28	42	B13_L12_N	AC27
43	B13_L20_P	AJ27	44	B13_L12_P	AB27
45	B13_L22_N	AH27	46	B13_L1_P	Y26
47	B13_L22_P	AH26	48	B13_L1_N	AA26
49	GND	U14	50	GND	U14
51	B13_L24_N	AK26	52	B13_L4_N	Y29
53	B13_L24_P	AJ26	54	B13_L4_P	W29
55	B13_L19_N	AD26	56	B13_L3_N	AA28
57	B13_L19_P	AC26	58	B13_L3_P	Y28

59	GND	U14	60	GND	U14
61	B12_L12_P	AD23	62	B12_L9_N	AD24
63	B12_L12_N	AE24	64	B12_L9_P	AC24
65	B12_L16_P	AE25	66	B12_L8_N	AD22
67	B12_L16_N	AF25	68	B12_L8_P	AC22
69	GND	U14	70	GND	U14
71	B12_L13_P	AF22	72	B12_L7_N	AC25
73	B12_L13_N	AG23	74	B12_L7_P	AB24
75	B12_L18_P	AG25	76	B12_L4_N	AA23
77	B12_L18_N	AH25	78	B12_L4_P	AA22
79	GND	U14	80	GND	U14
81	B12_L15_N	AK25	82	B12_L1_P	Y23
83	B12_L15_P	AJ24	84	B12_L1_N	Y24
85	B12_L17_N	AK24	86	B12_L2_P	Y21
87	B12_L17_P	AK23	88	B12_L2_N	AA21
89	GND	U14	90	GND	U14
91	B12_L14_N	AH24	92	B12_L6_P	AA20
93	B12_L14_P	AG24	94	B12_L6_N	AB20
95	B12_L20_N	AH22	96	B12_L10_N	AE21
97	B12_L20_P	AG22	98	B12_L10_P	AD21
99	GND	U14	100	GND	U14
101	B12_L19_N	AF21	102	B12_L3_P	AB22
103	B12_L19_P	AF20	104	B12_L3_N	AB23
105	B12_L11_N	AF23	106	B12_L5_P	AC20
107	B12_L11_P	AE23	108	B12_L5_N	AC21
109	GND	-	110	GND	-
111	+5V	-	112	+5V	-
113	+5V	-	114	+5V	-
115	+5V	-	116	+5V	-
117	+5V	-	118	+5V	-
119	+5V	-	120	+5V	-